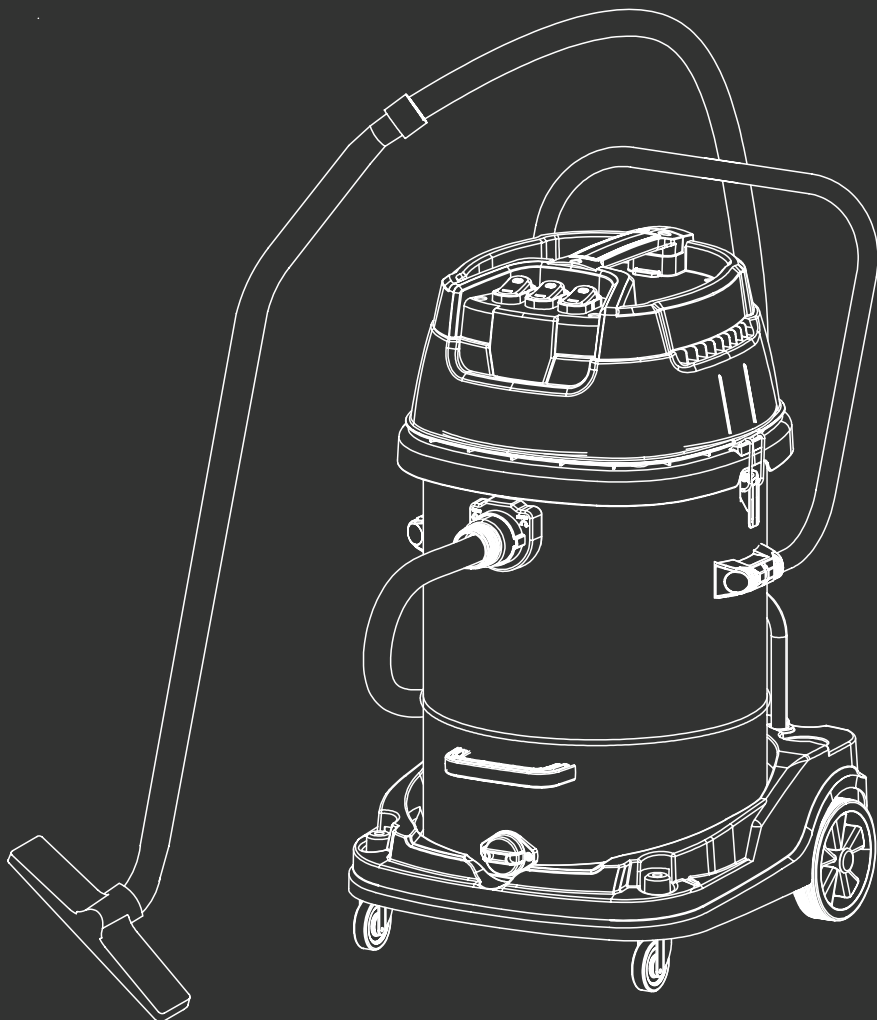


**HYUNDAI**  
POWER PRODUCTS



# WET / DRY VACUUM CLEANER HYVI10030

Instruction Manual



# Introduction

## Thank You For Purchasing Your HYUNDAI Product

We work very hard to give all of our customers the best possible service. If you have any problems, before leaving negative feedback, please contact us to give us a chance to resolve the issue. We would be delighted if you left us positive feedback! Thank you for purchasing this product.

## Important!



**⚠️WARNING : READ THE INSTRUCTION BOOKLET THOROUGHLY BEFORE USING THE MACHINE.** Keep for future reference and pass it on if the machine is loaned or sold to another user.

This manual has been produced by Hyundai Power Products and should be kept with the product. Please read and understand these instructions before you use your product. Failure to do this may result in personal injury or damage to the product.

The safety precautions and warnings are to ensure your safety and to protect you from harm or damage to the product.

The information contained in this manual was accurate at the time of production, however HYUNDAI Power Products may make modifications to the product without notification.



# Contents

## **Safety Information.....4-12**

Understand Your Machine.....	4
Intended Use.....	4
Personal Safety.....	5
Work Area.....	5
Inspect Your Machine.....	6
During Use.....	7
Machine Specific Safety.....	8-9
Electrical Safety.....	9
Vibrations.....	10
Noise.....	10
Personal protective Equipment.....	11
Symbols On The Machine.....	12

## **Features.....13**

## **Unboxing.....14-15**

Unboxing Safety.....	14
In The Box.....	14-15

## **Assembly.....16-21**

Attaching The Motor Housing.....	16
Attaching The Wheels.....	17
Attaching The Filters.....	18-19
Connecting The Hose.....	20-21
Cable Tidy.....	21

## **Operation.....22-23**

Attaching Accessories.....	22
Draining Liquids.....	23
Emptying The Tank.....	23

## **Starting / Stopping.....24-25**

## **Maintenance.....26-27**

General Maintenance.....	26
Cleaning.....	26
Service.....	26
Storage.....	27
Accessory Storage.....	27

## **Technical Data.....28**

Specifications.....	28
---------------------	----

## **Our Product Range.....29**

## **Recycling And Disposal.....30**

## **Declaration Of Conformity.....31**

## **Notes.....32-33**

## **Useful Information.....34**

Our YouTube Channel.....	34
Warranty.....	34
Manual Updates.....	34
Returning Your Product.....	34
Leaving A Review.....	34
Ordering Spare Parts.....	34

## **Contact Us.....35**



# Safety Information

## **⚠ Understand Your Machine**

- **WARNING!** You must read these instructions carefully before operating the machine. Make sure that you are familiar with the controls and properly operate the machine. You must learn how to stop the machine quickly. If you do not follow the warnings and instructions, it may result in fire and/or serious injury. Make sure to save this manual and all future warnings and instructions for reference.
- Read this manual and labels affixed to the machine to understand its limitations and potential hazards.
- Be thoroughly familiar with the controls and their proper operation. Know how to stop the machine and disengage the controls quickly, in particular in an emergency.
- If the unit is to be used by someone other than original purchaser, or is to be loaned, rented, or sold, always provide this manual and any needed safety training before operation. The user can prevent and is responsible for accidents or injuries that may occur to themselves, to third parties, or to property.
- Do not force the machine beyond its limits. Use the correct machine for your application.
- ALL MAINTENANCE other than that listed in this manual, should be carried out by professionally trained and certified personnel.

## **Intended Use**

The HYVI10030 is a wet and dry vacuum cleaner from Hyundai, powered by a 3000W motor. It is designed for picking up dry dust and debris as well as liquids.

The machine is manufactured according to the latest safety requirements. Every precaution is only effective when it is followed exactly.

### **User Types**

This machine is intended for use by consumers, i.e. non professional operators. The machine is intended for “DIY” and domestic use only.

### **Improper Use**

Any other usage not in keeping with the above mentioned ones may be hazardous and harm persons and/or damage things. Examples of improper use may include, but are not limited to:

- transporting people, children or animals on the machine
- letting yourself be transported by the machine



# Safety Information

## ⚠ Personal Safety

- **WARNING!** Never allow children or people unfamiliar with these instructions to use the product. Local regulations can restrict the minimum age of the operator.
- Stay alert, watch what you are doing and use common sense when operating the machine. Never operate the machine when unwell or tired, or if you have taken alcohol, medicine, drugs or any substances which may slow your reflexes and compromise judgment. A moment of inattention while operating the machine may result in serious injury.
- Appropriate Personal Protective Equipment (PPE), **MUST** be worn at all times when operating or repairing the machine. Always wear anti-slip and resistant work footwear and long trousers while using the machine. Do not use the machine when barefoot, wearing sandals or similar lightweight footwear. Do not wear chains, bracelets or clothing that is loose fitting or hanging ties or cords. Tie long hair back. Loose clothes, jewellery, or long hair can be caught in moving parts. Protect eyes, face, and head from objects that may be thrown from the unit.
- Always keep hands and feet away from all pinch points.
- Do not overreach. Keep proper footing and balance at all times. This enables better control of the machine in unexpected situations. Extending your body too far can result in a loss of balance and you may fall which will result in injury.
- Keep in mind that the operator or user is responsible for accidents, hazards or unexpected events involving the machine that occur to other people, third parties or their property. It is the responsibility of the user to assess the potential risk of the area where work is being carried out. The operator or user must take all necessary precautions to ensure their own safety and that of others, especially on slopes or rough, slippery and unstable ground.

## ⚠ Work Area

- Make sure you thoroughly inspect the entire work area and remove all objects and anything that could be thrown by the machine or could damage the machine (branches, stones, wire, toys, etc). Attempting to clear the work area whilst using the machine will reduce your concentration and creates a trip hazard. Any liquid spilled on the floor may result in you slipping.
- You must only work in daylight or with good artificial light in good visibility conditions. Keep people, children and animals away from the working area.
- Operate on flat, level ground.
- You must pay special attention when approaching obstacles that could compromise visibility.



# Safety Information

## **▲ Inspect Your Machine**

- You must check the general condition of the machine before use. Keep guards in place and in working order. Make sure all screws, nuts, bolts, etc., are securely tightened.
- Never operate the machine when it is in need of repair or is in poor mechanical condition. Replace damaged, missing, or failed parts before using it. Check for fuel leaks. Keep the machine in safe working condition.
- Do not use the machine if the switch does not turn off the motor when running. Any machine that can't be controlled with the switch is dangerous and must be repaired or replaced.
- If the machine should start to vibrate abnormally, stop the machine and check immediately for the cause. Vibration is generally a warning sign of trouble.
- Do not tamper with or disable safety systems.
- Only use manufacturer-recommended attachments.
- Before using, always visually inspect to see that the tools are not worn out or damaged. Replace worn out or damaged elements and bolts in set to preserve balance.
- Keep the machine in good operating condition. Operating the machine in poor or questionable condition could result in serious injury.
- Be sure all safety devices are in working order and warning labels are in place. These items are installed for your safety.



# Safety Information

## During Use

- Do not operate the machine in confined areas where there may be a risk of crushing the operator between the machine and another object.
- Walk, never run with the machine. Be very careful when pulling the machine toward you. You must look behind you to make sure there are no obstacles.
- **WARNING!** If something breaks or an accident happens whilst working, you must turn off the machine immediately and move the machine away to prevent further damage. If an accident happens with injuries or third parties are injured, carry out the first aid measures most suitable for the situation immediately and contact the medical authorities for any necessary health care. Carefully remove any debris that might cause damage or harm persons or animals should it not be seen.
- Do not carry passengers.
- After striking a foreign object, stop the machine immediately and inspect the machine thoroughly for damage. Repair the damage before continuing.
- Never attempt to make any adjustments while the machine is running.



# Safety Information

## ⚠ Machine Specific Safety

- Do not leave the cleaner running without supervision.
- The mains voltage must be the same as the details on the machine's model plate.
- Do not carry the cleaner by the cable. Only remove the cable from the socket by pulling the plug. Protect the cable from oil, heat and sharp edges. Damaged cables can cause an electric shock.
- Ensure that the cable is not damaged by being run over, crushed, torn, etc.
- The plug must be removed before cleaning or maintaining the appliance.
- Keep the nozzles and filters clean and functional to ensure that the cleaner works better and more safely.
- When picking up liquids, only use the accessories intended for this purpose.
- Do not leave the cleaner out in the rain.
- Do not immerse in water for cleaning.
- Do not use the cleaner to vacuum inflammable or explosive liquids, causticity object, hot and burning dust or harmful material to human body.
- Do not use with hot ash.
- Only use the accessories recommended by the manufacturer.
- Keep the cleaner in a dry room.
- Do not vacuum the objects as follows: inflammable and explosive dangerous material, corrosive material and burning ash, match, and cigarette.
- If the supply cord is damaged, it must be replaced by the manufacturer or its service agent or a similarly qualified person in order to avoid a hazard.
- This appliance is not intended for use by persons (including children) with reduced physical, sensory or mental capabilities, or lack of experience and knowledge, unless they have been given supervision or instruction concerning use of the appliance by a person responsible for their safety.
- Children should be supervised to ensure that they do not play with the appliance.
- Do not use the machine to pick up burning or smouldering debris, explosive or inflammable substances and liquids.





# Safety Information

- Use original accessories only.
- When picking up liquids, only use the accessories intended for this purpose.
- Keep body parts away from the vacuum opening when the machine is running.
- Always unplug the machine from the mains before removing the motor housing.
- Keep the machine away from bright sunlight and high temperatures.
- Do not allow the machine to tip over, as this may cause water to enter the engine and damage it.
- Do not pick up substances which adhere to the filter, such as lime, powder, Gesso and graphite powder. The dust can block the ventilation and damage the engine.

## Electrical Safety



**DANGER!**

**ELECTRICITY CAN KILL - NEVER WORK ON LIVE/ENERGISED EQUIPMENT.**

- Prior to carrying out any maintenance work you **MUST** identify electrical isolation methods and isolate all electrical supplies.
- Prior to use and with all electrical supplies isolated, you **MUST** check all electrical cables, plugs and connectors for the following;
  - Are intact and have no signs of damage, to include but not limited to bare wires, chaffing, cuts and loose wiring.
  - If there are any signs of damage, the damaged item **MUST** be taken out of service until the damage has been repaired by an electrically competent person.
  - All trailing cables should be routed so as not to cause any kind of trip hazard.
  - **NEVER** work on or near electricity with wet hands, wet clothing and wet gloves.
- Power tools plug must match the outlet. Never modify the plug in any way. **DO NOT** use any adapter plugs with earthed (grounded) power tools. Unmodified plugs and matching outlets will reduce risk of electric shock.
- **DO NOT** expose this power tool to rain or wet conditions. Water entering a power tool will increase the risk of electric shock. **DO NOT** abuse the power cord. Never use the cord for carrying, pulling or unplugging the power tool. Keep the cord away from heat, oil and sharp edges or moving parts. Damaged or entangled cords increase the risk of electric shock.




# Safety Information

## ⚠ Vibrations (Where Applicable)

- Prolonged use of hand held (operated) machines will cause the user to feel the effects of/from vibrations. These vibrations can lead to white finger (Raynaud's phenomenon) or carpal tunnel syndrome. This condition reduces the ability of the hand to feel and regulate temperature, causing numbness and heat sensations and may cause nerve damage and circulatory tissue death.
- Not all factors that lead to white finger disease are known, but cold weather, smoking and other diseases that affect blood vessels and blood circulation as well as large and long-lasting impact of shocks are considered factors in the formation of white finger. Note the following to reduce the risk of white finger and carpal tunnel syndrome;
- Wear gloves and keep your hands warm.
- Take regular breaks.
- All of the above precautions may help reduce the risk of white finger disease but not rule out the carpal tunnel syndrome. Long-term and regular users are therefore recommended to observe the condition of your hands and fingers. Seek medical attention immediately if any of the above symptoms should occur.

## ⚠ Noise (Where Applicable)

- The operating noise of the machine can damage your hearing. Wear protection such as earplugs or ear defenders to protect your hearing. Long-term and regular users are advised to have hearing checked regularly. Be especially vigilant and cautious when wearing ear protection because your ability to hear alarm warnings will be reduced.
  - Noise emissions for this equipment is unavoidable. Carry out noisy work at approved times and for certain periods. Limit the working time to a minimum. For your personal protection and protection of people working nearby it is also advisable for all to wear hearing protection.
-  • See Certificate of Conformity section for Outdoor Noise declaration of conformity.



# Safety Information

## ⚠ Personal Protective Equipment

Appropriate Personal Protective Equipment (PPE), **MUST** be worn at all times when operating or repairing the machine. No protective equipment can ensure 100% protection.

When selecting PPE, make sure it's CE marked and it suits the user in terms of size, fit, etc. If more than one item of PPE is worn at the same time, make sure they can be used together, e.g. wearing safety glasses may disturb the seal of a respirator, causing air leaks.



### **HAND PROTECTION MUST BE WORN**

Protective electrically non-conductive gloves are highly recommended when working.



### **FOOT PROTECTION MUST BE WORN**

Non-skid heavy duty footwear are highly recommended when working.



### **HEARING PROTECTION MUST BE WORN**

Suitable safety hearing protection is recommended.



### **EYE PROTECTION MUST BE WORN**

Always wear safety glasses/goggles and/or face shields. Everyday eyeglasses have only impact resistant lenses; they are not safety glasses/goggles.



### **PROTECTIVE CLOTHING MUST BE WORN**

Do not wear loose clothing, gloves, scarfs, neckties or jewellery (rings, wrist watches, etc), which can be caught in moving parts.



### **HEAD PROTECTION MUST BE WORN**

Wear a safety helmet with a safety visor.



### **FACE SHIELD MUST BE WORN**

Wear a face shield to protect your face.



### **RESPIRATOR MUST BE WORN**

Wear a respirator.



# Safety Information

## Symbols On The Machine

We have provided safety messages in this manual and on the machine. This information alerts you to potential hazards that could hurt you or others. Please read these messages carefully. However, we may not have listed all of the possible hazards, you must also use your own judgment.



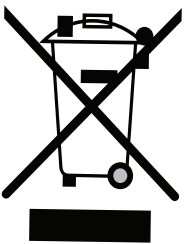
### **IMPORTANT**

Please read this instruction manual carefully, especially the safety warnings marked with the symbol.



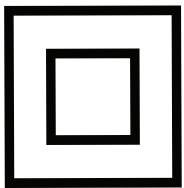
### **INSTRUCTION MANUAL**

Read and understand operator's manual before using the machine. Failure to follow instructions could result in death or serious injury.



### **WEEE SYMBOL**

Waste electrical products should not be disposed of with household waste. Please recycle where facilities exist. Check with your local authority or local store for recycling advice.



### **PROTECTION CLASS II**

Equipped with enhanced or double insulation.

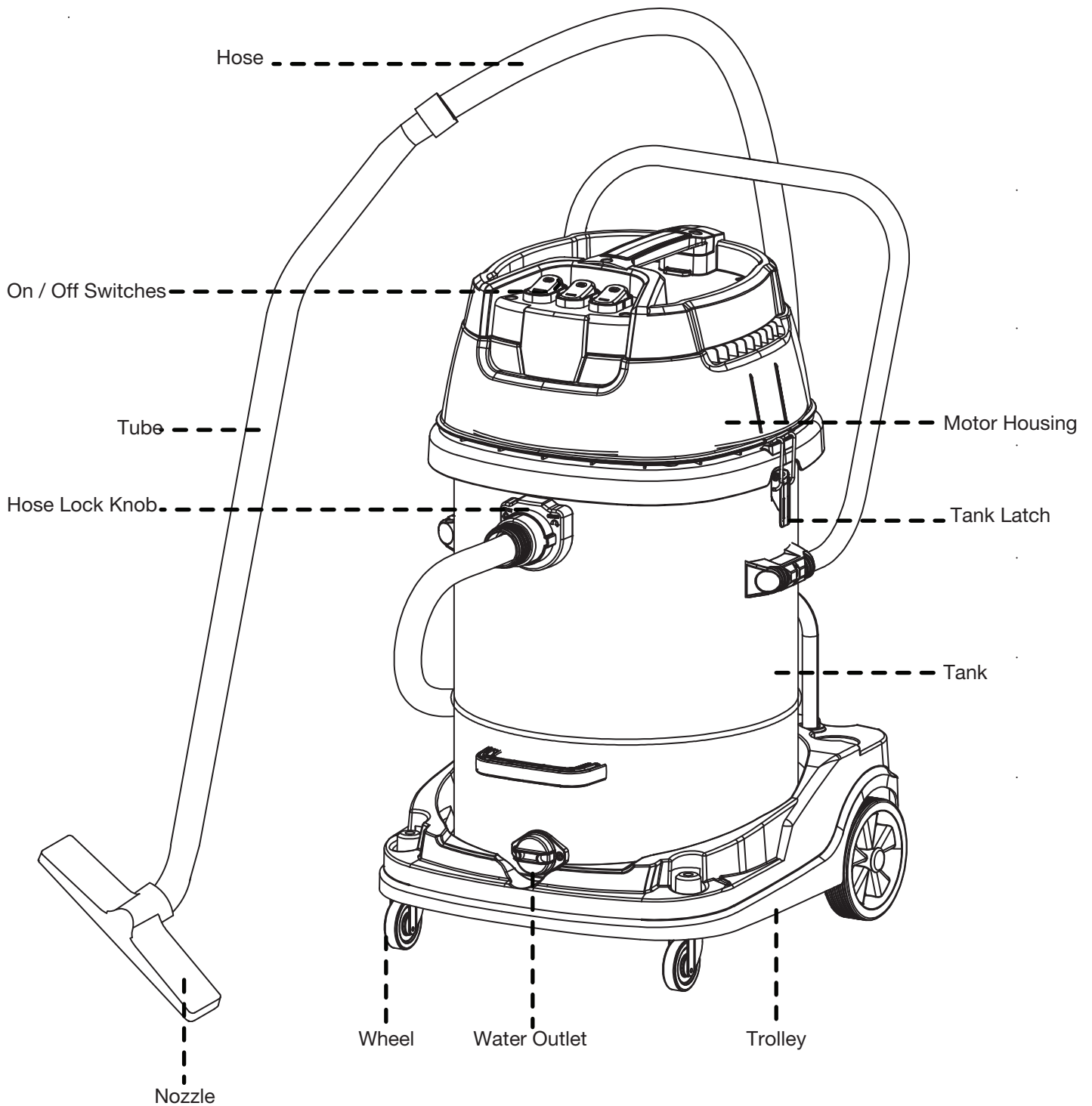


### **CE SYMBOL**

This product complies with the applicable European directives and an evaluation method of conformity for these directives was done.

# Features

## HYVI10030 Features



There is a chain connected to the tank. The chain will discharge any static onto the ground whilst using the vacuum to prevent static shock. Do not remove this chain.



# Unboxing

## ⚠ Unboxing Safety

**⚠ WARNING!** Unboxing and assembling the machine should be done on a flat, stable surface with enough room. Disposal of the packaging should be done in accordance with the local regulations in force.

**⚠ WARNING!** Some of the packaging material may be harmful to children. Keep out of reach of children.

Carefully remove the product from the packaging and examine it for any sign of damage caused during shipping. Lay the contents out and check them. If any part is damaged or missing, you must not use the machine. Contact HYUNDAI Power Products immediately. You must keep the packaging material in case the machine needs to be returned or repaired.

Ensure that you have all the accessories and tools you need for assembly and operation including the suitable personal protective equipment.

## In The Box

- |                        |                       |
|------------------------|-----------------------|
| 1 Tank                 | 10 User Manual        |
| 2 Main Power Unit      | 11 Tube (2 Parts)     |
| 3 Hose                 | 12 Brush Nozzle       |
| 4 2 x Front Wheels     | 13 Dry Use Nozzle     |
| 5 Dry Use Cloth Filter | 14 Filter For Liquids |
| 6 Rear Wheels          | 15 Dry Filter         |
| 7 Crevice Nozzle       |                       |
| 8 Wet Use Nozzle       |                       |
| 9 2 x Screws           |                       |

**PLEASE NOTE - Some contents are packed inside the tank for delivery.**



# Unboxing

## In The Box

\*NOT TO SCALE



# Assembly

## Unboxing & Assembly Video:

Go to youtube.com and type in Hyundai HYVI10030 assembly.  
**YOU MUST** read and understand the instruction manual first.

## Step 1 : Attaching The Motor Housing

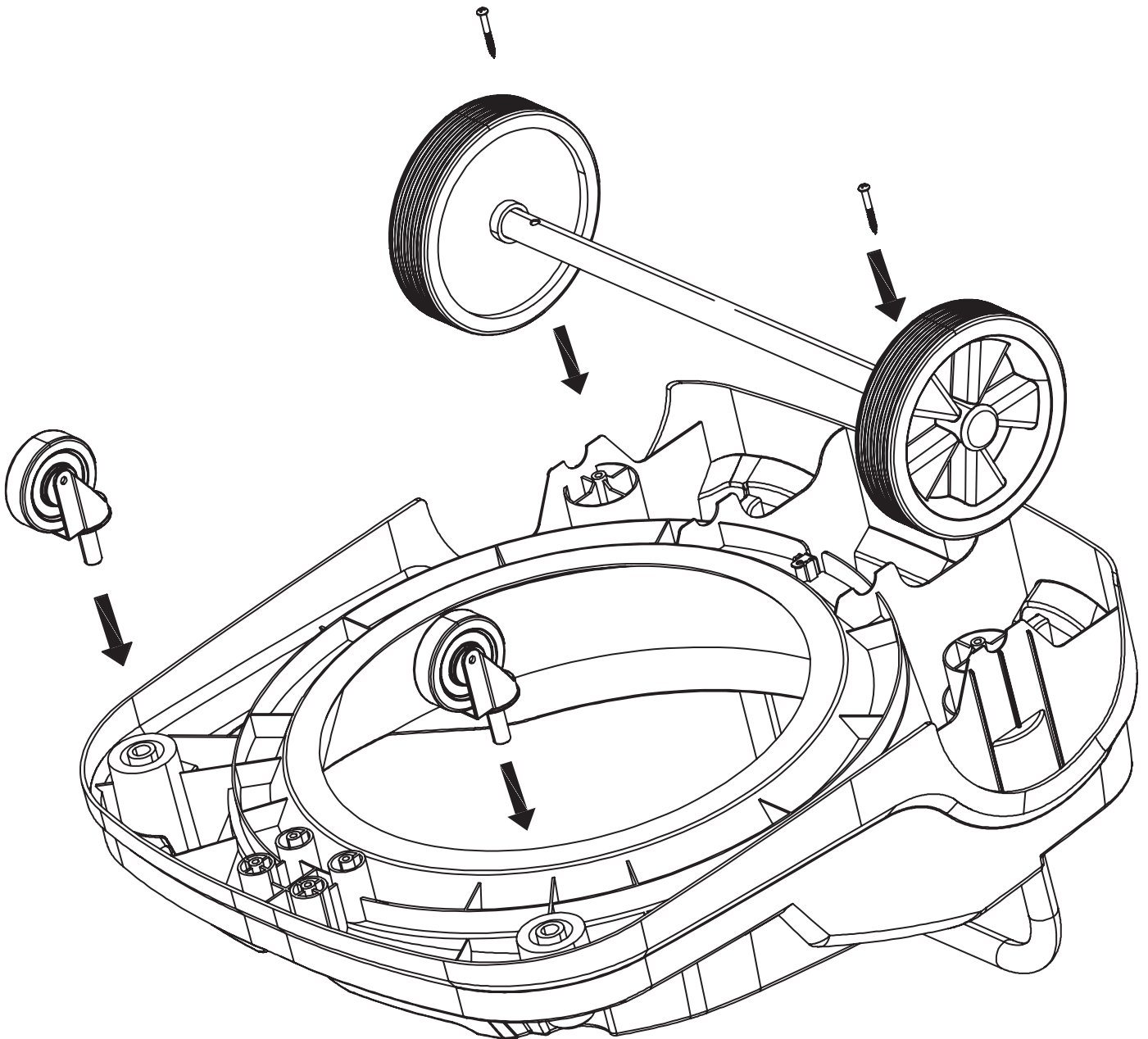


- 1 To remove the motor housing, undo the latches on each side.
- 2 To attach the motor housing, line up the latches on each side and clip into place.



# Assembly

## Step 2 : Attach The Wheels



- 1 Remove the motor housing by undoing the latches.
- 2 Turn the tank on its side so you can access under the trolley.
- 3 To attach the rear wheel axle, screw it into place with the two screws provided using a medium Phillips screwdriver.
- 4 To attach the front castor wheels, simply push them into place in each hole.



# Assembly

## Step 3 : Attaching The Filters

This vacuum cleaner is suitable for both wet and dry use. You must use the correct filter for each use.

### Dry Use

- 1 For dry use, fit the pleated filter to the power unit by twisting the black base clockwise and fit the large cloth filter to the drum.
- 2 Make sure that the correct filter is in place for dry use. See image below.



- 2 You can use the nozzles below for dry use.



# Assembly

## Wet use

- 1 For wet use, remove the pleated filter and fit the foam filter over the float cage. Make sure you remove the dry use cloth filter also.



**▲ NOTE :** Before using to vacuum for wet cleaning, remove all dirt and debris from the tank. The foam intake filter must be used to vacuum up wet debris. Unplug the power cord from the wall outlet before removing the motor assembly from the tank.

- 2 You can use the nozzles below for wet use.



# Assembly

## Step 5 : Connecting The Hose

- 1 Push the suction hose firmly into fitting on the front of the drum and turn clockwise to secure.
- 2 To remove hose, turn anti-clockwise and pull out of fitting on drum.



# Assembly

## Step 5 : Cable Tidy

- 1 You can wrap the cable around the two knobs for storage.



# Operation

## Attaching Accessories

⚠ Before mounting an accessory, always unplug the machine.

You can either connect the accessories onto the hose or you can attach them to the telescopic tube.

1 Push the chosen accessory into place.

Nozzle For Wet Use



Nozzle For Dry Use



Crevice Nozzle



Tube



Brush Nozzle



# Operation

## Draining Liquids

The vacuum cleaner has a float switch which ensures the vacuum will automatically shut off when the tank gets too full. If this happens, switch off the machine and empty the tank.

- 1 To drain the tank, simply unscrew the plug and the liquid will drain out. Once it is drained, screw the plug back in.



## Emptying The Tank

- 1 You can tip the tank back to help you empty it.



# Starting / Stopping

## Starting

**⚠ Always check whether the correct accessories have been mounted before switching on the machine. Before switching on the machine always check that the filter has been fitted. Using without a filter can seriously damage the machine.**

- 1 The vacuum is equipped with three motors so you can increase the suction power as needed.
- 2 Plug the vacuum into the mains power supply.
- 3 Start the first motor by setting the switch to position 'I'.
- 4 If desired, start the second and third motor by setting the switches to position 'I'.

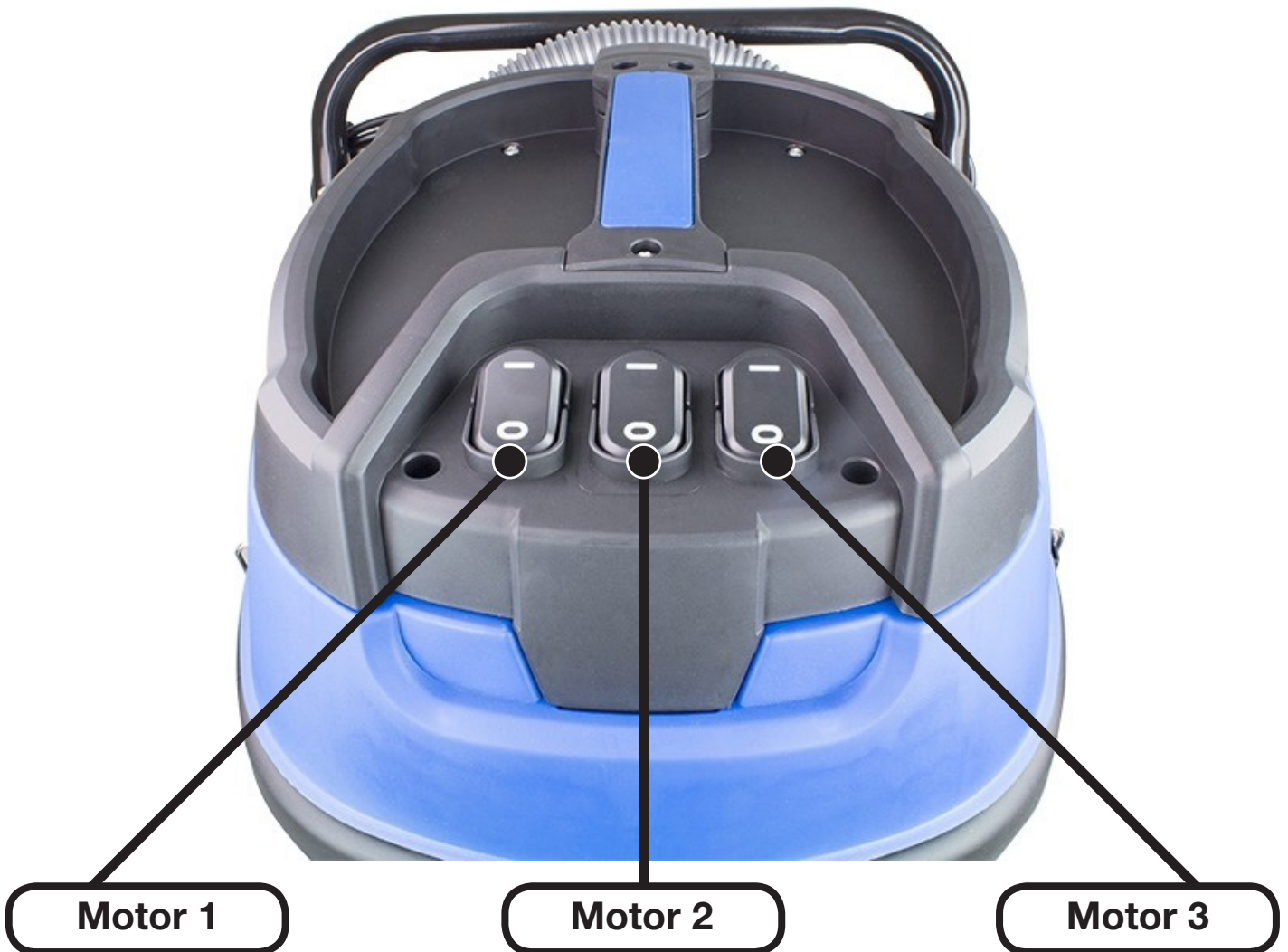




# Starting / Stopping

## Stopping

- 1 Press the switches back to the 'O' position and unplug from the mains power supply.



# Maintenance

## General Maintenance

- Keep all nuts, bolts and screws tight to be sure the vacuum cleaner is in a safe working condition.
- Replace worn or damaged parts for safety.
- Regularly replace the dustbag. Always replace the dustbag when it is full.
- Regularly replace the intake filter.

## Cleaning

**⚠ Always remove the plug from the mains outlet before cleaning the machine or performing maintenance to the machine.**

- 1** Regularly clean the container using soap and water. Allow the container to dry thoroughly afterwards.
- 2** Regularly clean the motor housing using a non-fluffy cloth or brush.
- 3** Empty the container each time after using the machine to pick up liquids. Allow the container and the intake filter to dry thoroughly afterwards.

**Avoid using solvents when cleaning plastic parts. Most plastics are susceptible to damage from various types of commercial solvents and may be damaged by their use. Use a clean cloth to remove dirt, grease, etc.**

## Service

- Servicing requires extreme care and knowledge and should be performed only by a qualified service technician.
- For service, we suggest you contact your nearest specialist for repair. When servicing, only use identical replacement parts.
- This product may not contain any parts that can be repaired by the consumer.
- Contact an authorised service centre or a similarly qualified person to have it checked and repaired.



# Maintenance

## Storage

**⚠ Keep the vacuum stored in dry, level area way from damp, moisture and rain fall.**

- For trouble free service, make sure the machine is clean and dry before storing.
- Please ensure the machine is stored away from direct sunlight. Store indoors.
- Store in a clean, dry, dust free area.
- Ensure the machine is stored in a position, where any persons cannot step on to attempt to reach items up high, due to risk of movement.
- DO NOT store the machine near an ignition source, such as a wood stove, gas or electric heater, or an appliance or heater with a pilot light.
- Store the machine in a safe place, out of the reach of children or anyone who is not familiar with operation.
- DO NOT stack other items on top of the machine when in storage.
- Store on a flat and level surface with all wheels on the ground.

## Accessory Storage

The vacuum has built in storage for the accessories. Place the accessories into the slots for storage. There are four slots on the base of the machine and four slots on the top of the machine.



# Technical Data

## Specification

<b>Model</b>	<b>HYVI10030</b>
Voltage	230V
Mains Frequency	50Hz
Motor	3000W
Tank Size	100L
Hose Length	5M
Cable Length	5M
Sound Power Level	82dBA
Net Weight	26.5kg



# Our Product Range

## Generators

Leisure Inverter, Petrol, Diesel And Built-In Motorhome Generators

## Pressure Washers

Petrol, Diesel And Electric Pressure Washers

## Water Pumps

Submersible, Clean And Dirty Water And Professional Chemical Water Pumps

## Lawnmowers

Petrol, Cordless, Electric, Roller, Self Propelled, Electric Start And Robotic Lawnmowers

## Grass Trimmers And Brush Cutters

Petrol, Cordless, Electric And Wheeled Grass Trimmers And Brush Cutters

## Chainsaws

Petrol, Cordless And Electric Chainsaws

## Hedge Trimmers

Petrol And Cordless Hedge Trimmers

## Leaf Blowers

Petrol, Electric, Cordless, Backpack And 3 -in-1 Leaf Blowers

## Log Splitters

Horizontal, Vertical, Petrol And Electric Log Splitters

## Wood Chippers

Petrol And Electric Start Wood Chippers

## Tillers

Petrol Garden Tiller And Cultivator

## Earth Augers And Trenchers

Petrol Earth Augers And Heavy Duty Trenchers

## Compactor Plates

Petrol Compactor Plates

## Cement Mixers

Portable Electric Cement Mixers

## Mini Dumpers

4-Wheel Drive Mini Dumpers And Tracked Dumpers

## Yard Sweeper

Self Propelled Yard Sweeper Power Brush

## Scarifiers

Petrol Lawn Scarifier And Aerator

## Stump Grinders

Petrol 4-Stroke Stump Grinders

## Welders And Plasma Cutters

MIG, TIG, MMA, ARC Welders And Plasma Cutters

## Power Tools And Tool Chests

Electric And Cordless Power Tools And Filled Tool Chests

## Vacuum Cleaners

Wet And Dry Vacuum Cleaners

## Engines

Petrol And Electric Start Engines

## Battery Chargers / Starters

6V, 12V, 24V Battery Chargers, Jump Starters And Hydraulic Floor Jack

## Air Compressors

Home, Domestic, DIY And Professional Use Air Compressors

## Lighting Towers

Mobile Lighting Towers With Diesel Generators

## Portable Power Stations

Camping Power Packs And Solar Chargers

## And More

We Are Constantly Expanding Our Range With New Products

If you would like more information on any of these products, please contact our sales team on 01646 687880 or visit our website [www.hyundaipowerproducts.co.uk](http://www.hyundaipowerproducts.co.uk)



# Recycling And Disposal

## Recycling And Disposal



We do not offer a takeback scheme for the recovery of Waste Electrical Electronic Equipment (WEEE) & Batteries. Instead the responsibility to dispose of WEEE and/or Batteries is passed onto you by us.

So when it becomes necessary to dispose of your machine you must take it to your local Civic Amenity Site. For further information please contact your local Authority for disposal advice.

You **MUST** make sure that all unused oil and fuel is disposed of correctly either beforehand or at your local Civic Amenity Site.

- Under NO circumstances must any fuel or oil be put down any drains.
- Certain products contain WEEE waste which should not be disposed of in your domestic waste.
- You **MUST** recycle WEEE in accordance with your local authority or recycling centre.
- Certain products contain batteries which should not be disposed of in your domestic waste.
- You **MUST** recycle batteries in accordance with your local authority or recycling centre.
- Unwanted packaging and materials should be stored and taken to a recycling centre so it can be disposed of in a manner which is compatible with the environment.

We are a Member of the VALPAK National Compliance Scheme and our registration number is **RM08660**. For further information about disposal please contact your Local Authority.

You can also get more advice and guidance about recycling at the following website <http://www.recycle-more.co.uk>

Should you pass this product on to another user either sold or loaned, you **MUST** pass on this user manual. This will make sure that all other users can use and maintain this machine safely.

## Environmental Protection

1. Environmental protection should be a priority of considerable importance when using the machine, for the benefit of both social coexistence and the environment in which we live. Try not to cause any disturbance to the surrounding area.
2. You must comply with local regulations and provisions for the disposal of packaging, oils, petrol, filters, damaged parts or any elements which have a strong impact on the environment. This waste must not be disposed of as normal waste. It needs to be separated and taken to specified waste disposal centres where the material will be recycled.
3. You must comply with local regulations for the disposal of waste materials after mowing.
4. When disposing, do not pollute the environment with the machine, but hand it over to a disposal centre, in accordance with the local laws in force.



# Declaration Of Conformity

**The undersigned, as authorised by: Genpower Ltd**

Declares that the following equipment manufactured under license by Hyundai Korea  
Conforms to the Directive:

- EN62233:2008
- EN60335-1:2012+AC:14+A11:14
- EN60335-2-82015

Of the European Parliament and of the council on the approximation of the laws of the Member States relating to the noise emission in the environment by equipment for use outdoors.

**Equipment Category:** Power Tools

**Product Name/Model:** HYVI10030

**Type:** Industrial Wet / Dry Vacuum Cleaner

**Mains Voltage:** 3000W

**Input Power :** 230V

**Capacity:** 100L

**The technical documentation is kept by:** Roland Llewelin, Genpower Ltd, Isaac Way,  
Pembroke Dock Pembrokeshire, SA72 4RW

The conformity assessment procedure followed was in accordance with annex V or VI of the Directive.

**Notified Body:** Yongkang Jienuo Industry Trade Co, Ltd  
Xialixi Industrial Zone, Yongkang City, Zhejiang Province, P.R. China

**Certification No:** 160400927HZH-001/A1

**Measured Sound Power Level:** 82dB(A)

**Guaranteed Sound Power Level:** 82dB(A)

A copy of this certificate has been submitted to the European Commission and to EU Member State United Kingdom.

**Place of Declaration:** Pembroke Dock, SA72 4RW

**Date:** Friday, 06 August 2019

**Signed By:** Roland Llewelin

**Position in Company:** Managing Director

**Name and address of manufacturer or authorised representative:**



Genpower Ltd, Isaac Way, Pembroke Dock, Pembrokeshire, SA72 4RW.









# Useful Information

## Check Out Our YouTube Channel

Our videos on YouTube include:

- Unboxing
- Assembly of your machine
- How to service your machine
- Products in use
- 'How To' videos
- Product features

Go to [www.hyundaisupport.co.uk](http://www.hyundaisupport.co.uk) or search 'Hyundai Power Products' in YouTube.

## Warranty

Proof of purchase will be required before you make a warranty claim.

Full warranty terms and conditions can be found on the HYUNDAI POWER PRODUCTS website: [www.hyundaipowerproducts.co.uk](http://www.hyundaipowerproducts.co.uk)

## Manual Updates

Our manuals are constantly being reviewed and updated. Should you find an error, omission or something unclear, please contact us for assistance.

We reserve the right to make any modifications without prior notice whenever necessary.

Our latest manuals are also placed online.

All our manuals can be downloaded at: [www.hyundaipowerproducts.co.uk](http://www.hyundaipowerproducts.co.uk)

## Returning Your Product

If you are returning your product, please contact the dealer for their returns policy.

## Leaving A Review

We work very hard to give all of our customers the best possible service. If you have any problems, before leaving negative feedback, please contact us to give us a chance to resolve the issue. We would be delighted if you left us positive feedback!

To leave a review, please go to: [uk.trustpilot.com/review/hyundaipowerequipment.co.uk](http://uk.trustpilot.com/review/hyundaipowerequipment.co.uk)

## Ordering Spare Parts

Only use original spare parts: The use of non-original and/or incorrectly fitted parts will jeopardise the safety of the machine, may cause accidents or personal injuries for which the manufacturer is under no circumstance liable or responsible.



# Need Help? Talk To Our Experts

## Contact Us

**Our friendly aftersales team will be more than happy to help you.**



### **Phone**

Call our team on 01646 687880, open Monday-Friday 8.30am-5pm.



### **Email**

[aftersales@hyundaipowerproducts.co.uk](mailto:aftersales@hyundaipowerproducts.co.uk)



### **Online Live Chat**

Go to [www.hyundaipowerproducts.co.uk](http://www.hyundaipowerproducts.co.uk)

Live chat is open Monday-Friday from 8.30am-5pm.



### **Post**

Genpower Limited, Isaac Way, Pembroke Dock, Pembrokeshire, SA72 4RW, UK.



# HYUNDAI

POWER PRODUCTS

Importer:  
GENPOWER LTD  
Isaac Way, London Road,  
Pembroke Dock, UNITED KINGDOM, SA72 4RW  
T: +44 (0) 1646 687 880 F: +44 (0) 1646 686 198  
E: [info@hyundaipowerproducts.co.uk](mailto:info@hyundaipowerproducts.co.uk)  
[www.hyundaipowerproducts.co.uk](http://www.hyundaipowerproducts.co.uk)

Imported/Distributed by Genpower Ltd for The United Kingdom & Ireland

Licensed by Hyundai Corporation, Korea